

Zip HydroTap[®] G4

Boiling | **Chilled** | **Sparkling** | Filtered | Instantly

The brilliant new generation
of the world's most advanced drinking water appliance.



The intelligent G4 Command Centre energy-saving technology



Zip HydroTap[®] G4 Installation

A. Location

Tap must be positioned so that it drains into a suitable sink, or be installed on the optional "tap font kit" which is plumbed to waste. Tap should be situated as closely as possible to directly above the under-sink Command Centre. Maximum distance from the base of the tap to the Command Centre is one metre. Command Centre must have clearances as shown on the drawings. Ventilation accessories (supplied) must be installed as per instructions.

B. Plumbing

Designed for direct connection to a potable (drinkable) cold water supply with minimum pressure of 172 kPa. A 500 kPa pressure limiting valve is fitted internally. An isolating valve should be fixed between the water supply and the under-bench Command Centre.

C. Electrical

Models BC 160/125 and BC 160/175 are designed to be connected to a 10 amp GPO, 220-240 Volt AC power supply. Model BC 240/175 is installed with an externally mounted 2.2 kW booster unit and must be connected to two separate 10 amp power points.

D. Venting

A vent in the tap head may discharge small amounts of water or steam so the tap must be mounted where it can drain.

The cupboard containing the operation unit must be amply ventilated.

A ventilation grill & dust kit are also provided with each unit for high usage applications. When installing the unit where minimum clearances are met.

Accessories

90915 – Zip G4 font installation kit
91290 – Zip 0.2 micron replacement filter
To order any model to be supplied with extended levers and Braille pads, add D to the end of the Order Code.

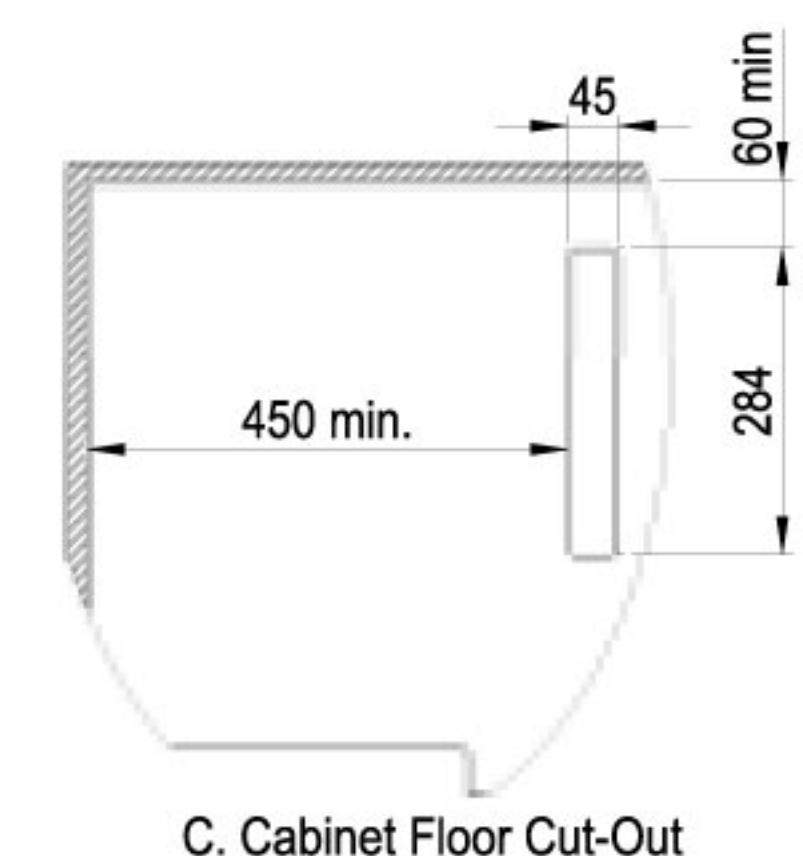
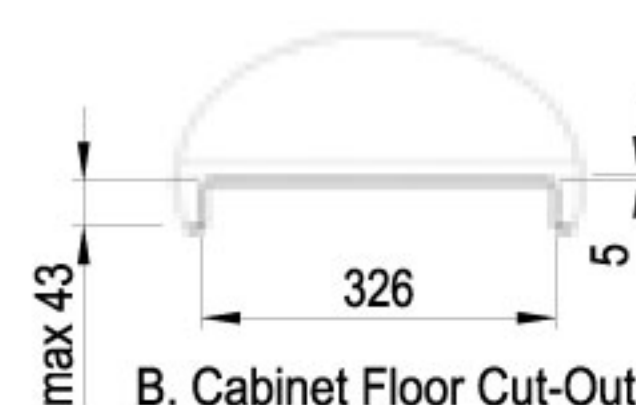
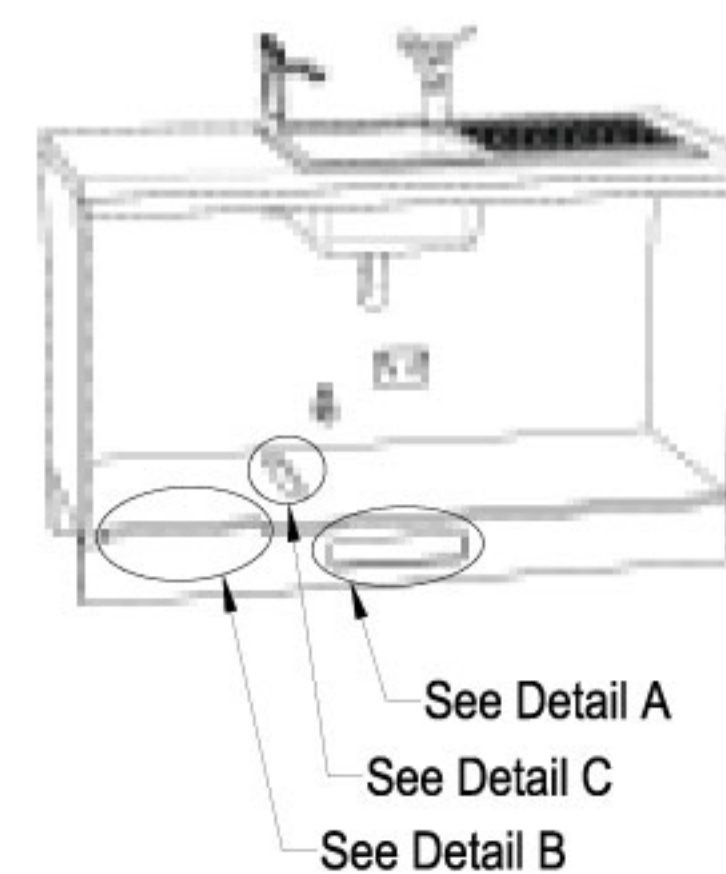
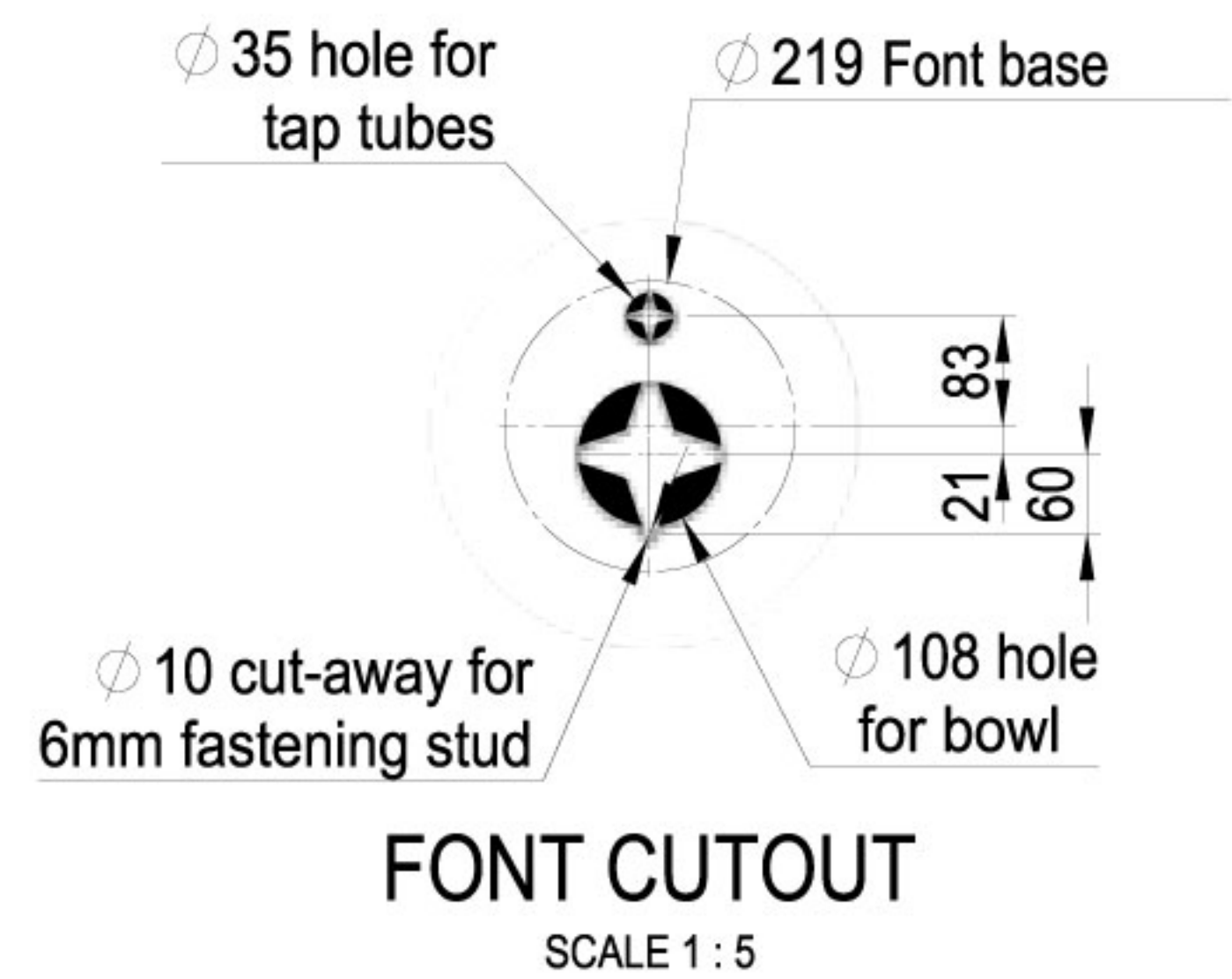
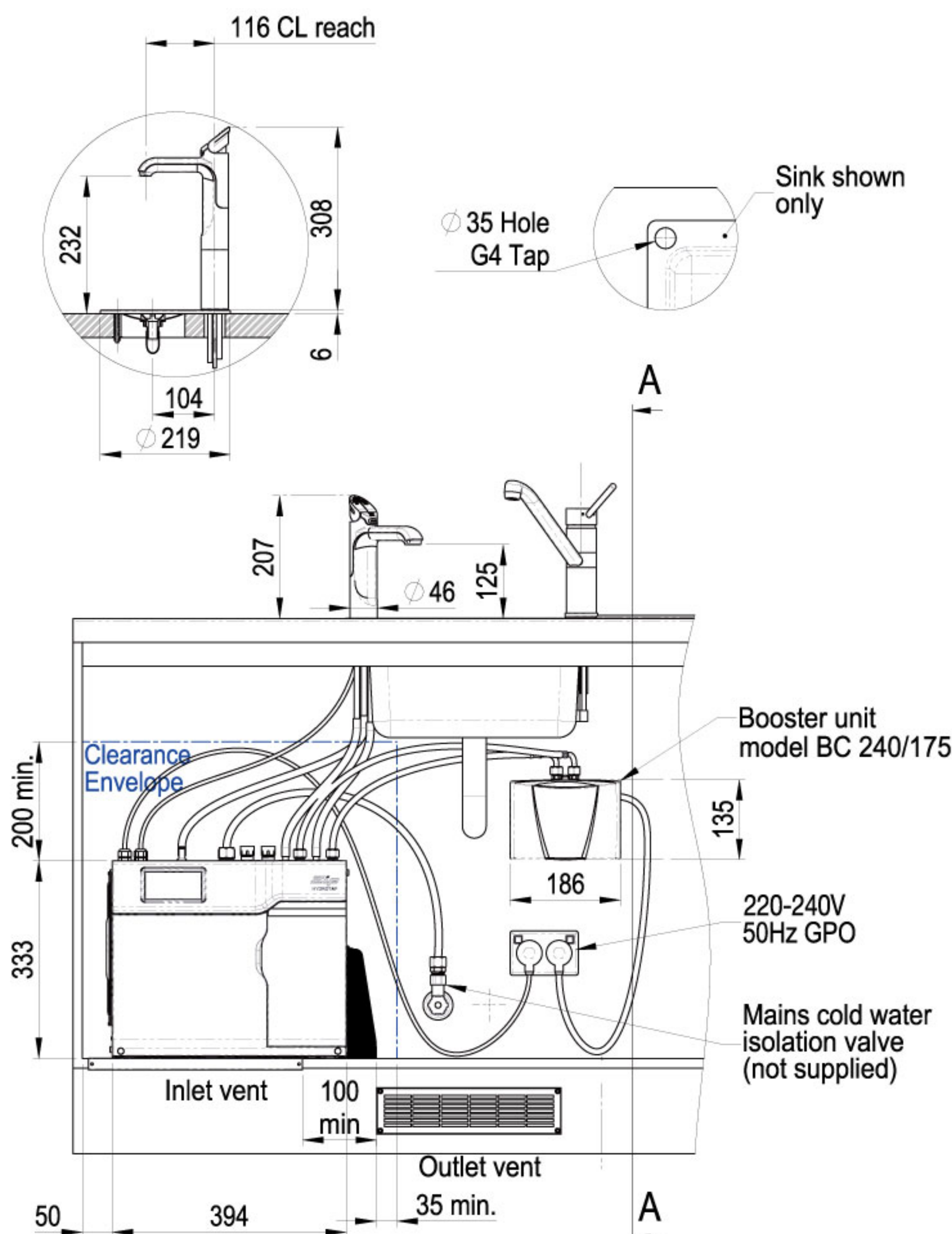


Braille pads

Extended levers

Caution

In some hard water areas where mineral scale accumulation can become a problem, consideration should be given to the maintenance required. All G4 Command Centre units come with an internal bypass for an additional external filtration system if required.



Specification Sheet

Zip HydroTap® G4



Order Code	Zip Model	Boiling Cups/hr	Chilled Glasses/hr	Rating (kW)	Voltage	Cabinet Dimensions W x D x H (mm)
Boiling and chilled filtered water unit 滾水及冰水機						
HT1764	BC100/75	100	75	2.05	220V/240V	280 x 455 x 333
HT1764D	BC100/75D	100	75	2.05	220V/240V	280 x 455 x 333
HT1703	BC160/125	160	125	2.1	220V/240V	394 x 464 x 333
HT1703D	BC160/125D	160	125	2.1	220V/240V	394 x 464 x 333
HT1704	BC160/175	160	175	2.2	220V/240V	394 x 464 x 333
HT1704D	BC160/175D	160	175	2.2	220V/240V	394 x 464 x 333
HT1705	BC240/175	240	175	2.2 + 2.2(*)	220V/240V	394 x 464 x 333
Boiling filtered water unit 滾水機						
HT1706	B160	160	-	1.9	220V/240V	280 x 313 x 333
HT1707	B240	240	-	1.9+2.2(*)	220V/240V	280 x 313 x 333
Chilled filtered water unit 冰水機						
HT1710	C125	-	125	0.175	220V/240V	280 x 476 x 333
HT1711	C175	-	175	0.3	220V/240V	280 x 476 x 333
Boiling and ambient filtered water unit 滾水及室溫水機						
HT1708	BA 160	160	-	1.9	220V/240V	280 x 313 x 333
HT1709	BA 240	240	-	1.9 + 2.2(*)	220V/240V	280 x 313 x 333
Boiling, chilled and sparkling filtered water unit 滾水,冰水及有氣水機						
HT1760	BCS 100/75	100	75	2.15	220V/240V	280 X 455 X 333
HT1762	BCS 160/175	160	175	2.3	220V/240V	394 X 464 X 333
HT1763	BCS 240/175	240	175	2.3 + 2.2(*)	220V/240V	394 X 464 X 333
Boiling, chilled filtered water unit + Hot & Cold water (All-In-One)						
HT1717	AIO G4 VENTED BCHA 240/175	240	175	2.2 + 2.2(*)	220V/240V	394 X 464 X 333

Note: D codes are models with extended levers.
Standard Cup = 167 mL Standard Glass = 200 mL
*All G4 models rated at 240 cups of boiling water per hour are installed with an externally mounted 2.2 kW booster unit and must be connected to two separate 10 amp power points.

As Zip policy is one of continuous product improvement changes to specifications may be made without prior notice. The terms 'Zip', 'Power-Pulse', 'HydroTap' and 'Command Centre' are trade marks.

Zip brings you the most intelligent filtered drinking water tap ever invented.

- **Adjustable water temperature:** boiling water 100°C to 68°C, chilled water 5°C to 14°C.
- **Power-Pulse™ electronic technology** controls the set boiling water temperature within 0.2° C.
- **Choice of fingertip control** for fast cup filling (lever down) or **hands-free** pot filling (lever up).
- **Two safety modes** Can be set to require **finger-thumb** operation for boiling water access, eliminating the risk of accidental use. Can also be set to "**hot isolation mode**" for increased safety.
- **Low-energy lights** signal boiling water is ready, chilled water is ready, or filter change is due.
- **Hidden light sensor** sends appliance to sleep to conserve energy when the room goes dark.
- **Sleeps or powers off** after 2 hours of non-use.
- **Plus 24/7 on/off timing** allowing power to be turned off for weekday or weekend periods.



Reputation and reliability.

Since its introduction over 10 years ago, Zip HydroTap has earned a reputation for unparalleled quality. The new G4 is so reliable that we've confidently extended our warranty to 2 years. You will enjoy peace of mind when you choose Zip HydroTap G4.

Environmentally friendly.

Intelligent design coupled with new technology creates a low energy air-cooled ventilation system with superior performance and better environmental responsibility. The G4 is now even more energy efficient. Unlike water-cooled systems, the Zip HydroTap doesn't waste water.

Tastier and healthier.

The Zip HydroTap G4 new inbuilt 0.2 micron filtration provides crystal clear great tasting filtered drinking water. It filters out sediment, odours, metals Giardia and Cryptosporidium to 1/5000th of a millimetre, but fluoride is retained.



Look for the NSF symbol on any water filter label. It is the only way you know for sure that your filter is tested and certified by the globally recognised NSF International Organisation against NSF/ANSI standards 42 and 53.

No more bottled water to buy or store saving time & energy every single day

New under-bench Zip Command-Centre units are more compact than ever before and have all connection points at the rear to make neat installation simpler. A front access door makes changing the filtration cartridge as simple and quick as replacing a light globe.



New G4 Zip Command-Centre™ leads the world in time-saving, energy-saving technology.

- **Advanced insulation** and electronics technology reduces standby energy power.
- **Self-calibrates boiling point** upon installation, regularly re-calibrates and optimises performance.
- **Simple pin-code-protected touch-screen** puts managers in total control of each appliance.
- **Adjustments include** temperature, dispensing time, safety settings, energy-saving settings.
- **Continuous self-diagnostics** system monitors performance, provides total history on demand.
- **Inbuilt cross-ventilation system** eliminates cupboard heat-up; no need for an external fan.
- **Multiple filter life settings**, with precise litre monitoring, to optimise filter replacement timing.
- **Added peace-of-mind features** include overload protection, temperature monitoring, internal leak detection, plus an internal pressure limiting valve.

Zip HydroTap now supports your sustainability aims as never before.

- **Conserves water.** New, improved air-cooled system with inbuilt cross-ventilation, does not dump water to waste. An environmentally responsible solution.
- **Conserves energy.** Choice of four energy-saving settings to allow site managers to adjust each installation to operate with optimum energy efficiency.
- **RoHS Compliant.** All materials involved in Zip HydroTap manufacture comply with the European Restriction of Hazardous Substances Directive 2002/95/EC.
- **Red List Compliant.** Designed to meet the sustainable initiatives of the Living Building Challenge by eliminating prohibited materials shown on the LBC Red List.

Distributor:

Aqua Vital Water Filtration Systems Ltd.
Tel.: (852) 3565-1333
www.aqua-vital.com.hk